

Another way to quickly determine correct CT polarity is to pick a reference point and compare the manufacturer's drawings to the application drawings. Choose the CT side away from the transformer in the examples and follow them to H1, H2, and H3 for each phase. Choose the CT side facing away from the transformer on the secondary side and follow the wiring to H4, H5, and H6. Always ensure that the CTs are a closed loop and that only one grounding point is connected for each isolated circuit. Many people get fixated on the polarity marks which, as shown in Figures 13-24 and 13-25, are not as important as the actual CT connections.

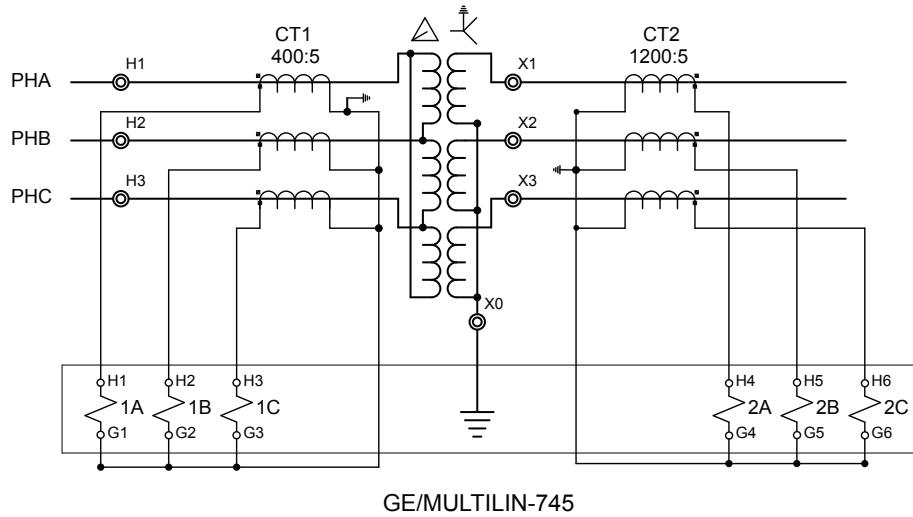


Figure 13-24: CT Connections Example #1

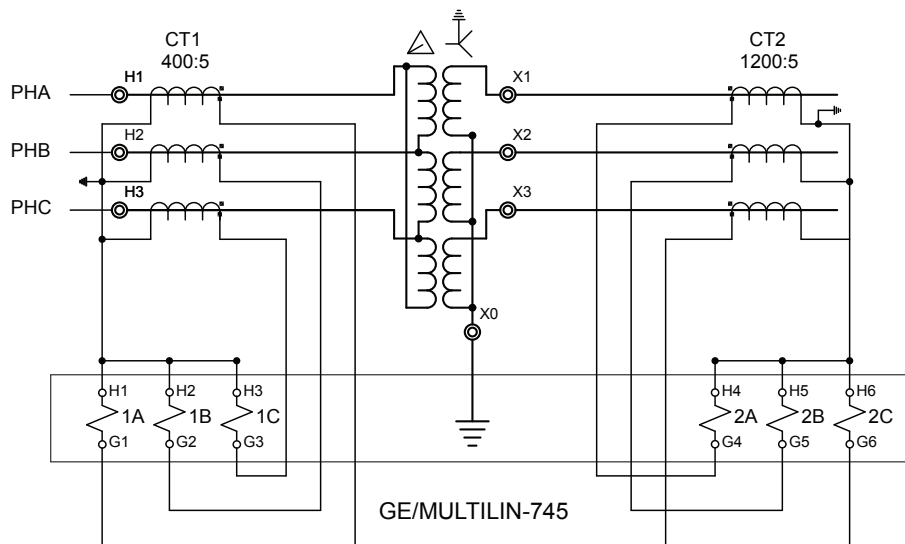


Figure 13-25: CT Connections Example #2